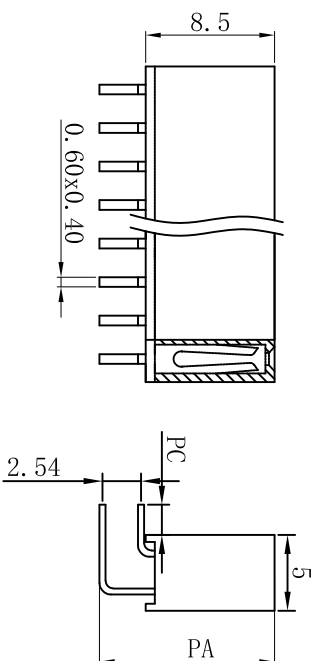
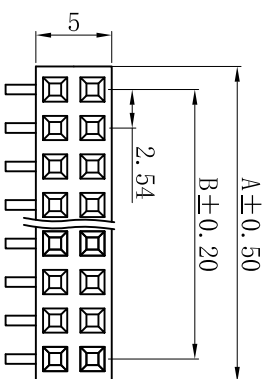


| REV. NO. | REVISION NOTE | REVISER | DATE |
|----------|---------------|---------|------------|
| V0 | NEW DRAWING | | 2023/05/11 |

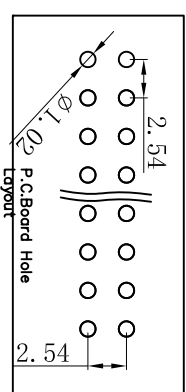
客户编码

XX-XXX



SPECIFICATIONS

Current Rating:3A
 Contact Resistance:30mΩ Max
 Insulator resistance:1000MΩ Min
 Dielectric withstanding:AC 500V
 Operating Temperature:-40°C~ +105°C
 Contact Material:Brass or Phosphor bronze
 Insulator Material:Polyester,UL94V-0
 Standard:PA6T



- 备注:
- 1、A= 2.54 X No. of Positions + 0.5
 - 2、B= 2.54 X No. of Contacts - 2.54
 - 3、胶壳用常规标准胶壳, 2xNo. of Contacts
 - 4、材质: PA6T 颜色: 黑色
 - 5、端子表层镀金0.8 μ"

| | | | | | |
|---|--|-------|---------|---|-------------|
| Http://www.ciscomn.com | | | | 深圳市新世联电子有限公司 TEL:+86 (755) 29912370 FAX:29912372 | |
| Tolerance Unless Otherwise Specified | | Title | | 排母2.54mm 双排 90度 (塑高8.5) Y型 | |
| .X ~ ±0.30 | | | Units | Scale | REV NO. |
| .XX ~ ±0.25 | | | mm | 1:1 | V0 |
| .XXX ~ ±0.20 | | | Date | Reviewed By | Date |
| Angle ~ ± 3° | | | LiuYang | 2023/05/11 | |
| | | | | Material No. | Approval By |
| | | | | XXXXX-XXXXX-XXX-XX | Date |